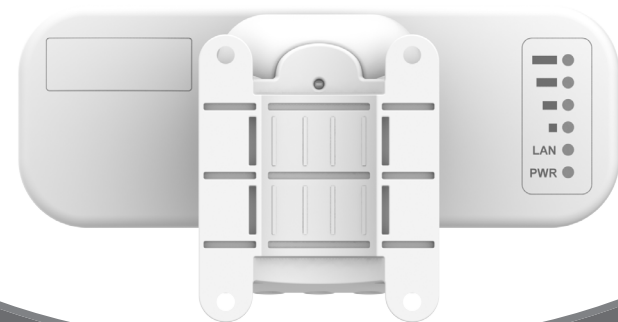


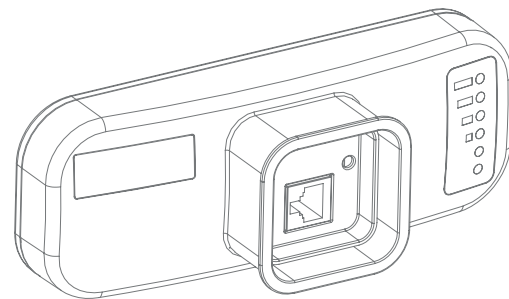


# LigoDLB Propeller 2 LigoDLB Propeller 5

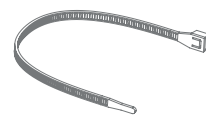
## installation



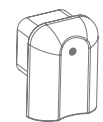
## Package content



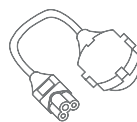
x4 screws and plastic inserts



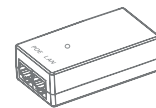
x2 plastic clamps



Insert bracket



Power cord

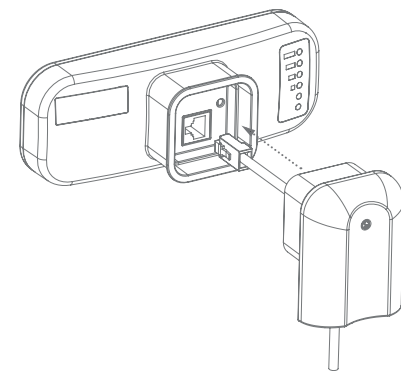
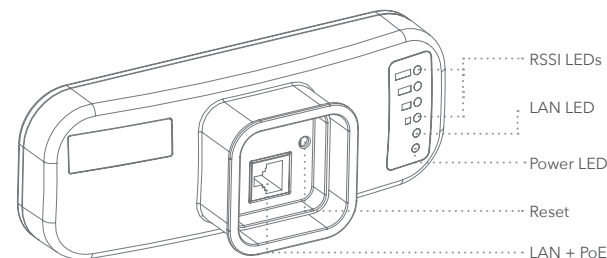


PoE power adapter

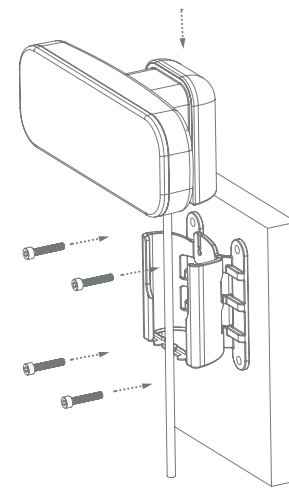


Wall/pole mount

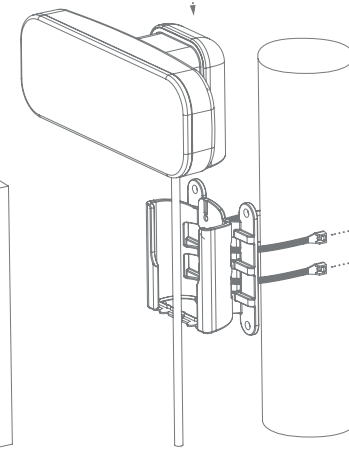
## Assembling



## Mounting

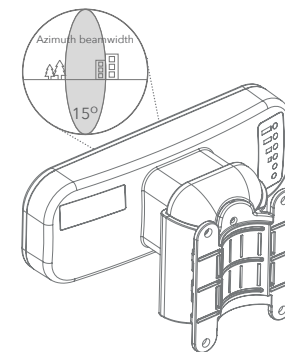


Wall mounting

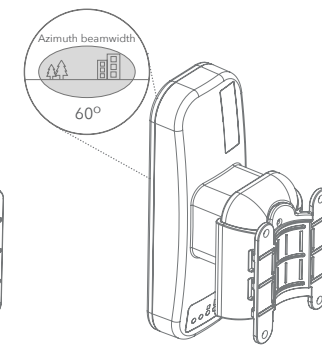


Pole mounting

## Operating modes



CPE mode



AP mode

## PoE connection

